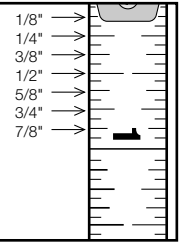


Measuring Guide for Classic Roman Shades

Double-check your work—always measure twice to ensure accuracy.

Tools and Tips

- Steel tape measure—do not use cloth tape.
- Pencil
- Round measurements to the nearest 1/8"

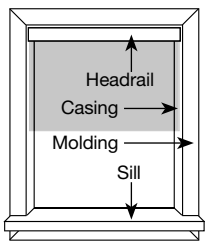


Measuring Guidelines

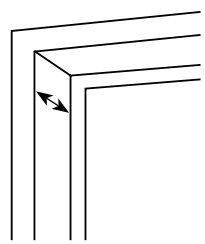
Measuring for an Inside Mount

Inside Mount:
Window treatments are installed inside the window casing.

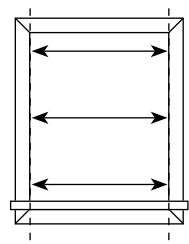
Use a steel tape measure for taking measurements.



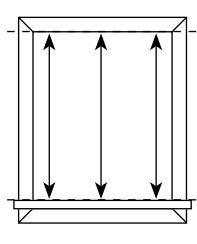
1. Measure Depth:
See chart below to determine if window casing has enough depth for an inside mount window treatment.



2. Measure Width:
Measure the inside width of window casing in three places; record narrowest measurement.



3. Measure Length:
Measure the inside length from the top of window casing to the top of the sill in three places; record longest measurement.

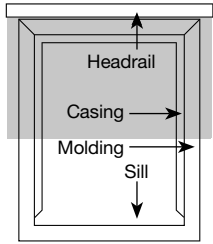


NOTE: Do not take any deductions for clearance. The manufacturer will take necessary deductions for a perfect fit.

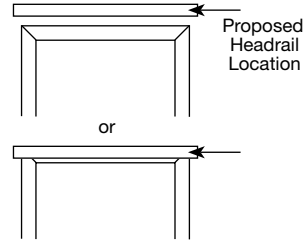
Measuring for an Outside Mount

Outside Mount:
Window treatments are installed outside the window casing.

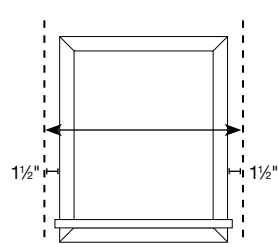
Use a steel tape measure for taking measurements.



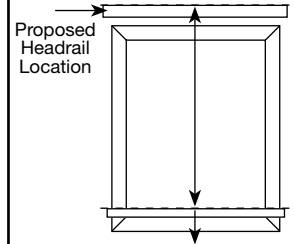
1. Determine Headrail Location:
Determine if headrail will be on molding or above molding and mark the spot.



2. Measure Width:
Measure exact width to be covered; we recommend 1/2" overlap on each side of the window (3" total) for optimum light control and privacy; record measurement.

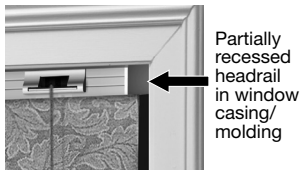
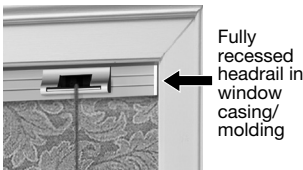


3. Measure Length:
Measure exact length to be covered, including desired overlap (typically from 1" above the molding to bottom of sill or apron); record measurement.



NOTE: The manufacturer makes no deductions on outside mount installations.

Depth Requirements for Inside Mount

Control Type	Fabric Style	 	
		Minimum Headrail Depth Mount (inches)	Headrail Flush with Casing (inches)
Cord Lift	Looped	3/4	4 3/8
	Flat		1 1/8
Bottom Up/Top Down	Looped	3/4	4 3/8
	Flat		1 1/8
Cordless Lift	Looped	1/2	5 1/8
	Flat		2 1/8
Continuous-Loop Lift	Looped	1/2	5 1/8
	Flat		2 1/8