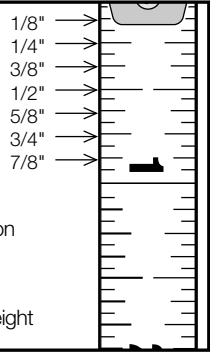


# Measuring Guide for Natural Shades

Double-check your work—always measure twice to ensure accuracy.

### Tools and Tips

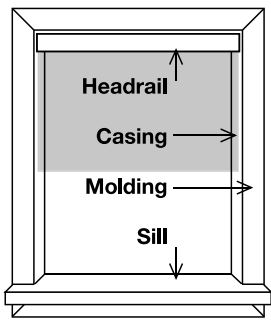
- **Steel tape measure**—do not use cloth measuring tape
- **Pencil**
- **Measuring Worksheet**—see page 3
- **Measure each window** and record location on worksheet—size variances are common
- **Round measurements** to the nearest 1/8"
- **Clearly record measurements**—width vs. height



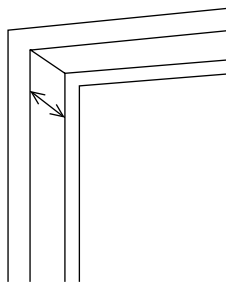
## Choose a Mount Type: Inside Mount or Outside Mount

(See next page if you need help deciding which mount is best for your windows.)

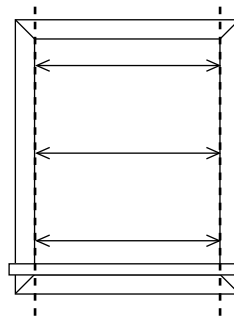
### Inside Mount Window treatments are installed inside the window casing.



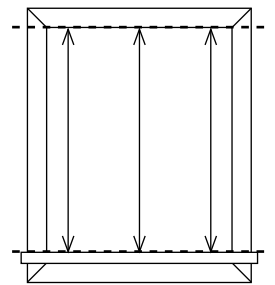
**Inside Mount Shade**



**Depth**



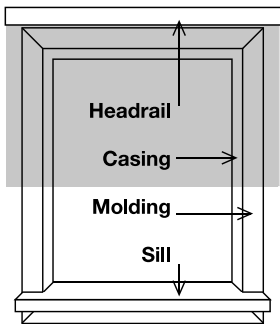
**Width**



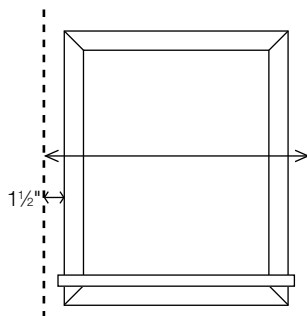
**Height**

- 1 **Measure Depth:** See chart on next page to determine if window casing has enough depth for an inside mount window treatment.
  - 2 **Measure Width:** Measure the inside width of window casing in three places. Record narrowest measurement.
  - 3 **Measure Height:** Measure the inside height from the top of window casing to top of sill in three places. Record longest measurement.
- Note:** Do not take any deductions for clearance. The manufacturer will take 1/2" deduction off the overall width for a perfect fit.

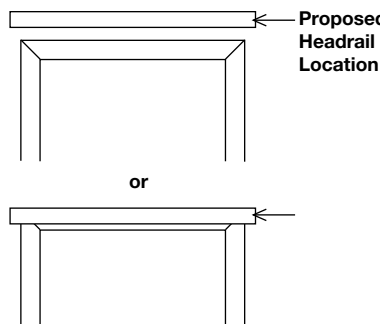
### Outside Mount Window treatments are installed outside the window casing. Mount directly to wall or molding.



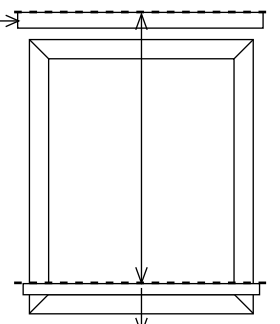
**Outside Mount Shade**



**Width**



**Headrail Location**



**Height**

- 1 **Measure Width:** Measure width to be covered. We recommend 1 1/2" overlap on each side of the window (3" total) for optimum light control and privacy. Record measurement.
- 2 **Determine Headrail Location:** Determine if headrail will be on or above molding and mark spot.
- 3 **Measure Height:** Measure height to be covered from top of headrail location to top of sill, or lower if overlap is desired for additional light control and privacy. Record measurement.

**Note:** The manufacturer makes NO deductions on outside mount installations.

# Mounting Considerations

## Reasons for Choosing Inside Mount

### Clean Look

- Inside mount treatments are installed inside the window casing, showcasing attractive window trim.
- The window opening frames the treatment for a finished, clean appearance.

### Allows Sill Space on Deep Windows

- In some deep-set windows, the window treatment can be installed to allow plants or other items to be placed in front of the window treatment on the sill.

## Limitations of Inside Mount

### Light Gaps

- A small deduction in the width and/or length is taken at the manufacturer to allow for proper operating clearance, and this causes a small gap on each side of the treatment, affecting the treatment's ability to darken a room.

### Obstructed View

- The stack (compressed portion of the window treatment when fully raised) will obstruct part of the view from the window.
- The amount of stack varies by product.

### Architectural Obstacles

- Obstacles, such as handles and cranks, can interfere with the operation of inside mount treatments.

## Reasons for Choosing Outside Mount

### Improve Privacy and Light Control

- Light gaps on the side of the window treatment can be substantially diminished or eliminated.

### Fewer Installation Limitations

- Outside mount window treatments are ideal for covering nonsquare windows.
- Outside mount window treatments are installed higher than the window opening for an unobstructed view when fully raised.

### Architectural Obstacles

- Outside mount window treatments can clear obstacles like handles and cranks.

### Enlarge the Look of a Small Window

- Increase overlap above and below or to each side of the window.

### Hide Window Trim

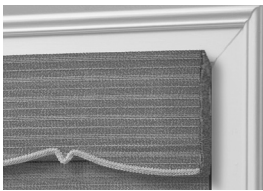
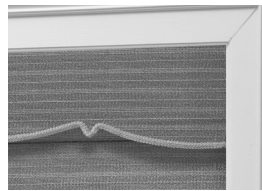
- Outside mount treatments can easily hide unattractive window trim.

## Limitation of Outside Mount

### Required Surface Above Window Frame

- Outside mount brackets require at least 2" of flat surface above window or on window frame for mounting brackets; projection brackets can be ordered if needed to clear frame or molding.

## Inside Mount Window Casing Minimum Depth Requirements

Type of Shade	Headrail Dimensions (inches)	 Partially recessed valance in window casing/molding	 Fully recessed valance in window casing/molding
		Minimum Depth Mount (inches)	Flush with Casing (inches)
Standard, Old Style, and Looped Roman Bottom Up/Top Down	$\frac{5}{8} \times 1\frac{1}{2}$	$\frac{3}{4}$	$2\frac{1}{16}$
Cordless Lift	$1\frac{1}{2} \times 2\frac{1}{8}$		$4\frac{1}{4}$
Continuous-Loop Lift Motorized Lift	$\frac{5}{8} \times 2\frac{1}{4}$		$3\frac{3}{16}$
Turned Headrail	$1\frac{1}{2} \times \frac{5}{8}$		$1\frac{1}{8}$ standard Roman $1$ old style Roman

# Measuring and Ordering Worksheet

**Window #1** \_\_\_\_\_  
(location)

## Measuring

### For Inside Mount

Depth of window casing: \_\_\_\_\_

Measure width of window in three places and circle the narrowest width below:

Width #1: \_\_\_\_\_

Width #2: \_\_\_\_\_

Width #3: \_\_\_\_\_

Measure height of window in three places and circle the longest height below:

Height #1: \_\_\_\_\_

Height #2: \_\_\_\_\_

Height #3: \_\_\_\_\_

### For Outside Mount

Width: \_\_\_\_\_

Height: \_\_\_\_\_

## Ordering

Mount Type:  Inside  Outside

Ordering Width: \_\_\_\_\_

Ordering Height: \_\_\_\_\_

Type of Blind or Shade: \_\_\_\_\_

Style Name: \_\_\_\_\_

Color Number: \_\_\_\_\_

### Controls & Options to consider:

- Corded
- Cordless
- Bottom Up/Top Down  
(Cellular, Pleated, Roman, and Natural Shades)
- Sun Up/Sun Down  
(Cellular & Pleated Shades only)
- Cornice: \_\_\_\_\_
- Valance: \_\_\_\_\_
- Other: \_\_\_\_\_

**Window #2** \_\_\_\_\_  
(location)

## Measuring

### For Inside Mount

Depth of window casing: \_\_\_\_\_

Measure width of window in three places and circle the narrowest width below:

Width #1: \_\_\_\_\_

Width #2: \_\_\_\_\_

Width #3: \_\_\_\_\_

Measure height of window in three places and circle the longest height below:

Height #1: \_\_\_\_\_

Height #2: \_\_\_\_\_

Height #3: \_\_\_\_\_

### For Outside Mount

Width: \_\_\_\_\_

Height: \_\_\_\_\_

## Ordering

Mount Type:  Inside  Outside

Ordering Width: \_\_\_\_\_

Ordering Height: \_\_\_\_\_

Type of Blind or Shade: \_\_\_\_\_

Style Name: \_\_\_\_\_

Color Number: \_\_\_\_\_

### Controls & Options to consider:

- Corded
- Cordless
- Bottom Up/Top Down  
(Cellular, Pleated, Roman, and Natural Shades)
- Sun Up/Sun Down  
(Cellular & Pleated Shades only)
- Cornice: \_\_\_\_\_
- Valance: \_\_\_\_\_
- Other: \_\_\_\_\_

**Window #3** \_\_\_\_\_  
(location)

## Measuring

### For Inside Mount

Depth of window casing: \_\_\_\_\_

Measure width of window in three places and circle the narrowest width below:

Width #1: \_\_\_\_\_

Width #2: \_\_\_\_\_

Width #3: \_\_\_\_\_

Measure height of window in three places and circle the longest height below:

Height #1: \_\_\_\_\_

Height #2: \_\_\_\_\_

Height #3: \_\_\_\_\_

### For Outside Mount

Width: \_\_\_\_\_

Height: \_\_\_\_\_

## Ordering

Mount Type:  Inside  Outside

Ordering Width: \_\_\_\_\_

Ordering Height: \_\_\_\_\_

Type of Blind or Shade: \_\_\_\_\_

Style Name: \_\_\_\_\_

Color Number: \_\_\_\_\_

### Controls & Options to consider:

- Corded
- Cordless
- Bottom Up/Top Down  
(Cellular, Pleated, Roman, and Natural Shades)
- Sun Up/Sun Down  
(Cellular & Pleated Shades only)
- Cornice: \_\_\_\_\_
- Valance: \_\_\_\_\_
- Other: \_\_\_\_\_